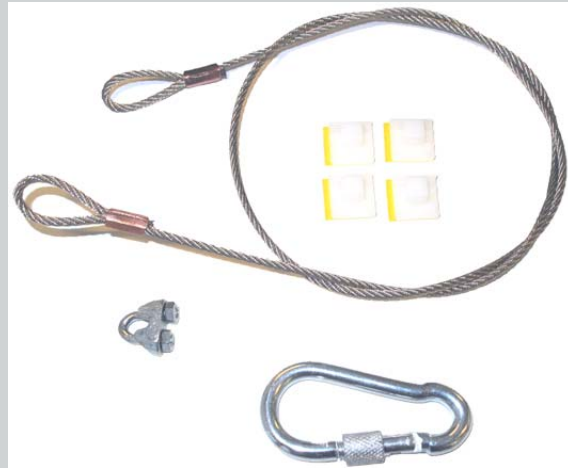


TLD+ Zoom Lens Safety Cable



Installation Manual

Barco NV
President Kennedypark 35, 8500 Kortrijk, Belgium
Phone: +32 56.36.82.11
Fax: +32 56.36.883.86
Support: www.barco.com/en/support
Visit us at the web: www.barco.com

Printed in Belgium

1. ABOUT THE NEW SAFETY CABLE

When to use the safety cable?

The lens safety cable must be used in any circumstance where the projector is mounted above people. Do this to secure the mounted lens in the lens holder.

Why replace the existing safety cable?

Up until recently, all lenses for event projectors weighed 7 kg or less. The lens safety cable included with every events projector was able to secure every single lens available in the Barco gamma.

Due to the release of the TLD+ Ultra 0.8–1.16 lens, there are now lenses available that weigh more than 11 kg, which this safety cable can no longer support in a safe fashion.

In order to safely handle all lenses that are available, a new safety cable must be used, which is installed on the lens in a new fashion.

Content of the kit

- Safety Cable (750 mm, Ø3 mm)
- Cable clamp M4
- Shackle 7x70 mm
- 20 x Cable clip (16x16 mm, Ø4 mm)¹



Image 1-1

1.1 Configuration differences

Configuration differences

There are two different configurations for the safety cable. The configuration used depends on the used carrying handle or hoisting eye.

Configuration A applies to the following setups:

¹ Only four pieces are needed to assemble the safety cable to a lens. When the safety cable is used on another lens, you should not remove the cable clips. Instead, use four new ones. There are enough cable clips in the kit to secure up to five different lenses.

1. About the new Safety Cable

- All HDF projectors and variants, when connecting to the bottom carrying handle.
- All HDX projectors and variants, when connecting to the bottom carrying handle.
- All RLM projectors

Configuration B applies to the following setups:

- All HDX projectors and variants, when connecting to the top carrying handle.
- All HDF projectors and variants, when connecting to the HDF hoisting eye.
- All RLM projectors

1.2 Mounting the safety cable to the lens

How to mount the cable

1. Paste four cable clips on the lens as illustrated (reference 1). Orient the open side of the clips towards the front of the lens.

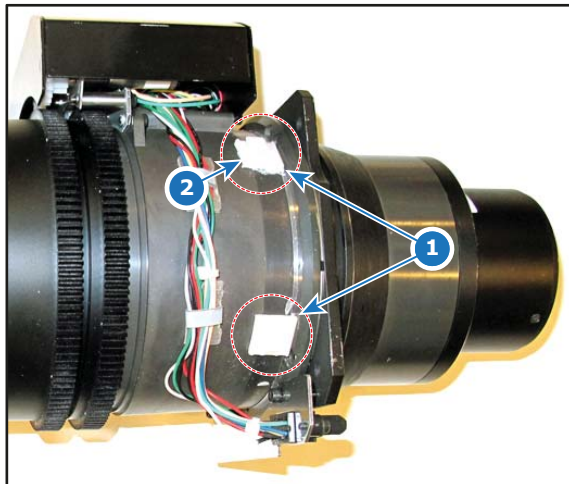


Image 1-2

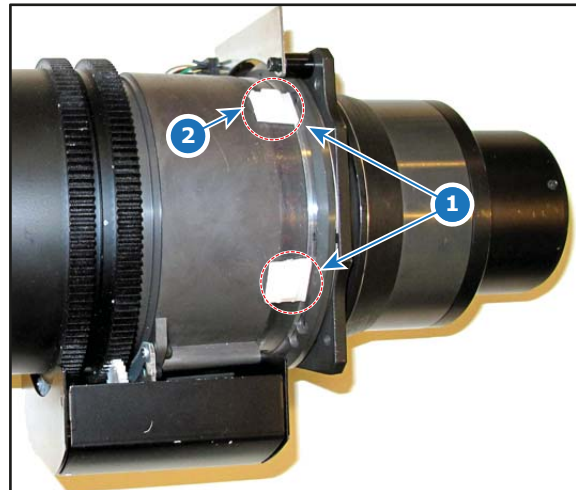


Image 1-3

2. Snap the first loop end of the safety cable into one of the following clips and let the loop end point downwards.
 - a) Configuration A: Use the upper clip on the side of the cable bundle (reference 2, image 1-2).
 - b) Configuration B: Use the upper clip on the non-wired side (reference 2, image 1-3).
3. Slide the rest of the cable around the lens counterclockwise. Click the cable into every clip it passes in this loop.

Note: Make sure the cable passes between the lens and the cable bundle.
4. Slide the cable through the loop end at the beginning of the cable.

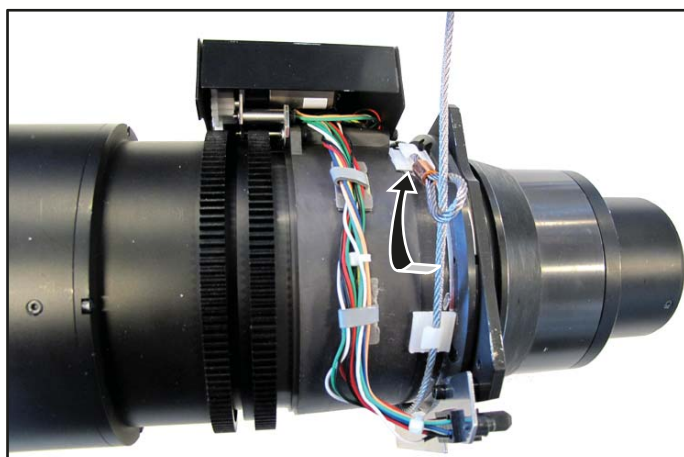


Image 1-4
Example of configuration A

5. Install a U-bolt on the lens holder, with the open ends oriented outwards (reference 3). Make sure that both a part of the loop end and the outgoing part of the safety cable are placed in the enclosure.

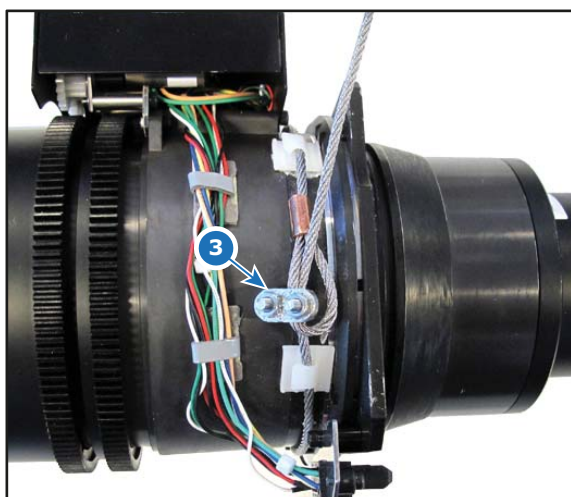


Image 1-5
Example of Configuration A



Image 1-6
Example of Configuration B

6. Close the U-bolt and tighten it.
Note: Make sure the safety cable is tightened around the lens before tightening the U-bolt nuts.
7. Place the shackle through the free loop end of the safety cable.

1.3 Installing the lens with safety cable on an HDX projector



This procedure assumes you know how to install a lens into the projector. If not, refer to the installation manual of the projector.

How to install on HDX projectors

1. Place the lens in the lens holder, using the lens locking mechanism.
Caution: Always make sure the lens is really secured by trying to pull the lens out of the lens holder.

1. About the new Safety Cable

2. Lead the cable end with the shackle around one of the following carrying handles:
 - Configuration A: Around the bottom carrying handle.
 - Configuration B: Around the top carrying handle.
3. Snap the shackle to the straight part of the cable.
4. Secure the shackle by screwing the safety ring of the shackle over the open end.



Image 1-7
Example using the bottom carrying handle



Image 1-8
Example using the top carrying handle

1.4 Installing the lens with safety cable on an HDF projector



This procedure assumes you know how to install a lens into the projector. If not, refer to the installation manual of the projector.

How to install on HDF projectors

1. Place the lens in the lens holder, using the lens locking mechanism.
Caution: Always make sure the lens is really secured by trying to pull the lens out of the lens holder.
2. Lead the cable end with the shackle around one of the following carrying handles:
 - Configuration A: Around the bottom carrying handle.
 - Configuration B: Through the front hoisting eye on the top plate. Temporarily remove the shackle to allow the cable to slide through the hoisting eye.
3. Snap the shackle to the straight part of the cable.
4. Secure the shackle by screwing the safety ring of the shackle over the open end.



Image 1-9
Example using the bottom carrying handle



Image 1-10
Example using the hoisting eye

1.5 Installing the lens with safety cable on an RLM projector



This procedure assumes you know how to install a lens into the projector. If not, refer to the installation manual of the projector.

How to install on RLM projectors

1. Place the lens in the lens holder, using the lens locking mechanism.
Caution: Always make sure the lens is really secured by trying to pull the lens out of the lens holder.
2. Snap the shackle through the fixation ring near the lens opening.
3. Secure the shackle by screwing the safety ring of the shackle over the open end.



Image 1-11
Example using the fixation ring